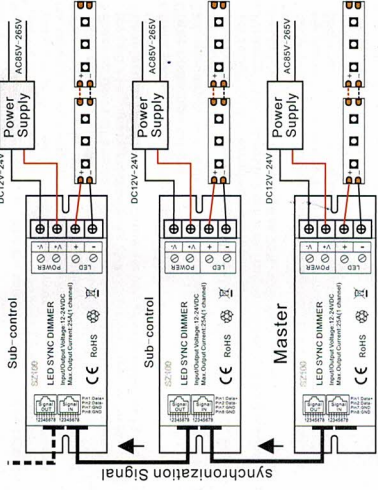


USER MANUAL



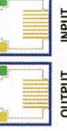
RF 14-KEY DIMMER

2. Application synchronization (RJ45 connector for sync-work function)



3. RJ45 synchronization interface

A C B D



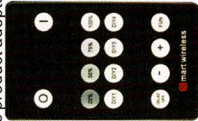
OUTPUT		INPUT	
Indicator	Mark	Light on	Light flash
Yellow (A)	MCU/RF is clear	MCU/software error	Receive the RF signal from remote
Yellow (B)	Power	Clear	Power input error
Green (C)	SYNC-signal out	Clear	Signal error: 1) Insert the crystal lightly, or 2) the cable with problem need to replace.
Green (D)	SYNC-signal in	Clear	Signal error: 1) Insert the crystal lightly, or 2) the cable with problem need to replace.

I. Specifications

Working temperature: -20~60°C
 Supply voltage: DC12V~24V
 Product size: L127*W41*H32 mm
 Package size: L135*W65*H40mm
 Net weight: 175g Gross weight: 195g
 Output: One CMOS drain-open output
 Max output current: 25A

II. Control Method

This product adopts RF 14-key remote control:



Lithium manganese dioxide battery
 Battery Model: CR2025

The function of each button as below:

OFF				ON
25% level	50% level	75% level	100% level	
DIY 1	DIY 2	DIY 3	DIY 4	
Delay Off 30s	Brightness /Speed-	Brightness /Speed+	Dynamic mode	

2 Dynamic modes in total as below:

NO	Patterns	Remarks
1	fish	Speed is adjustable, brightness is unadjustable
2	fade	

Mark:

- Delay off, this function is design to auto delay off the lighting 30 seconds.
- DIY key operation: Pressing 3 times in 3 seconds enter DIY status, and pressing the button adjusting the light to the right status.
- Long-pressing can get fast adjusting.

Matching code operation

Receiver can be controlled by any one the same remote as factory default; remote control delivered with unique RF code as factory default. If you need to change the remote code, please refer to the following steps. Pressing the receiver as below operation instruction before using the receiver. Pressing key "Delay off" and hold on, power on the controller, the load LEDs will be 50% brightness white as responding.

2. Pressing "Delay off" 3 times in 3 seconds, corresponding to the operation, the LED's brightness will change as 25%--10%--back to preset level.

3. Code learning successfully, the receiver only can be controlled by the remote.

4. If not, please re-operate from step 1 to 2.

Clear code operation

Back to factory default, receiver can be controlled by any one the same remote control.

1. Pressing key "FUN" and hold on, power on the controller, the load LEDs will be 50% brightness white as responding.

2. Pressing "FUN" 3 times in 3 seconds, corresponding to the operation, the LED's brightness will change as 25%--10%--back to preset

3. Code clearing successfully, the LEDs will be back to the status before the power off, and the receiver can be controlled by any remote control (any one the same remote control can be used to clear the code).

4. If not, please re-operate from step 1 to 2.

III. Warning

1. Supply voltage of this product is DC12-24V, never connect to other voltage.

2. Before power on, lead wire should be connected correctly according to the connecting diagrams, or might damage the device.

3. Warranty of this product is two years, but exclude the artificial situation of damaged or overload working.

IV. Connect Diagram

1. Stand-alone work

